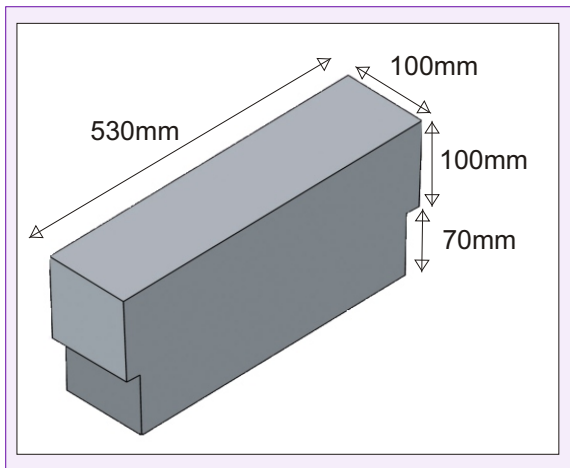
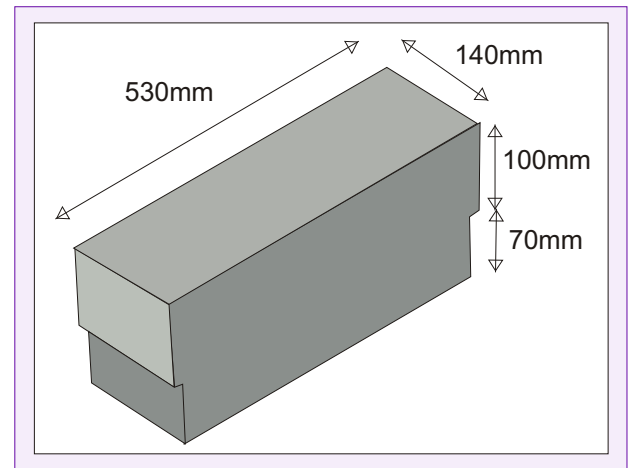


Rackham Poly-Plus Closure Block

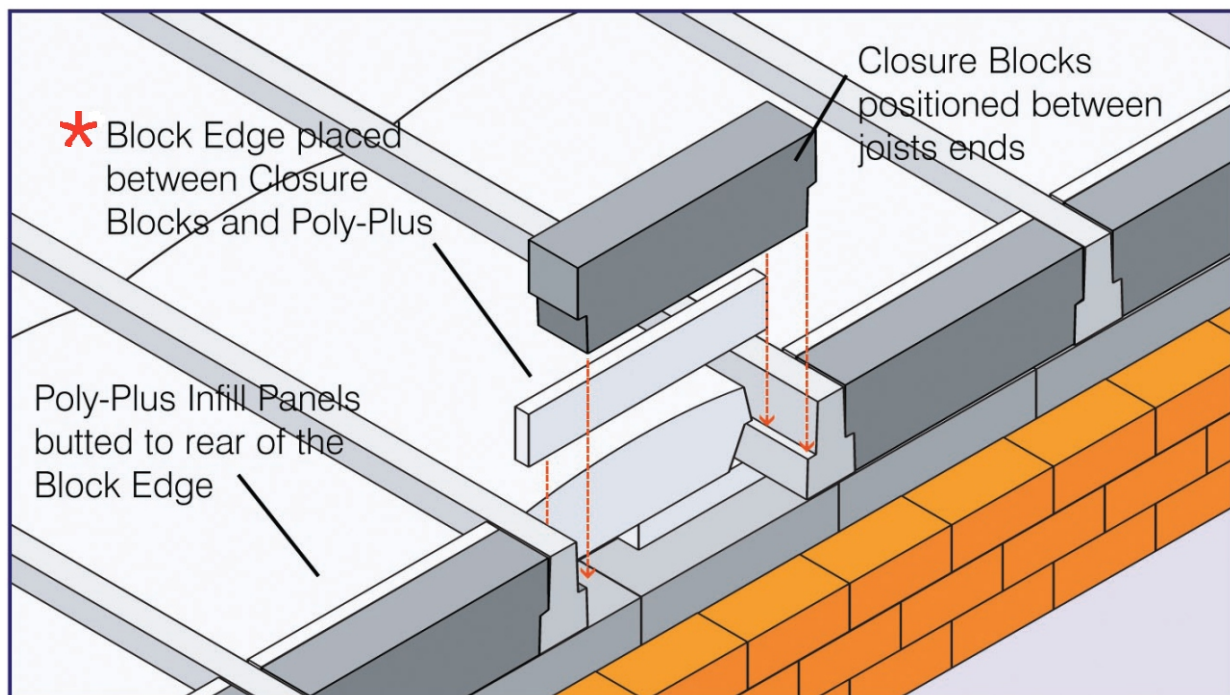
Rackham Closure Blocks are quick and easy to lay and eliminate all brick infill between floorjoists at perimeter and internal junctions.



100mm wide closure blocks for masonry construction



140mm wide closure blocks for timber frame construction



Manufactured in accordance with BS 6073: Part 1: 1981 (Specification for precast concrete masonry units) with a minimum compressive strength of 10N/mm^2

* Polystyrene Block Edge **not** required with F/T Panels