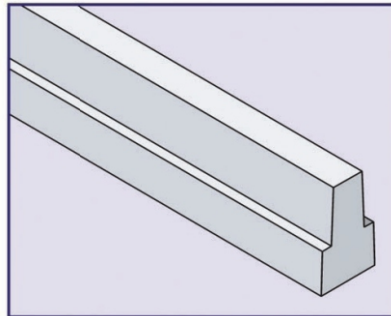
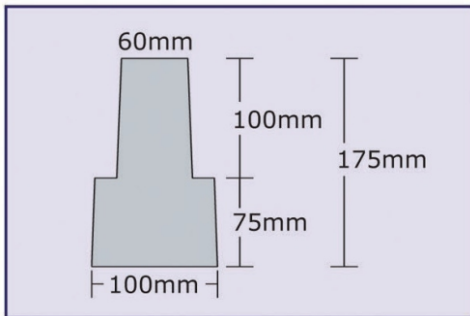
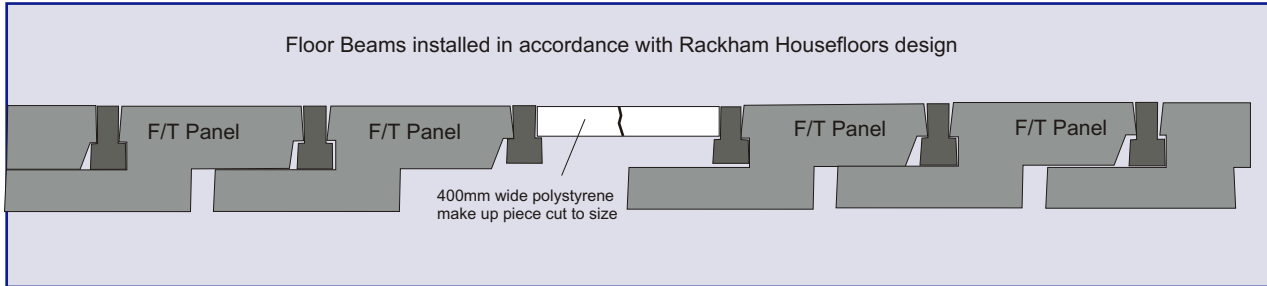


# RACKHAM HOUSEFLOORS

**Rackham Housefloors Ltd**  
Mill Street East, Dewsbury  
West Yorkshire, WF212 9TA  
Tel: 01924 455876  
Fax: 01924 466513

E-mail: sales@rackhamhousefloors.co.uk  
Website: www.rackhamhousefloors.co.uk

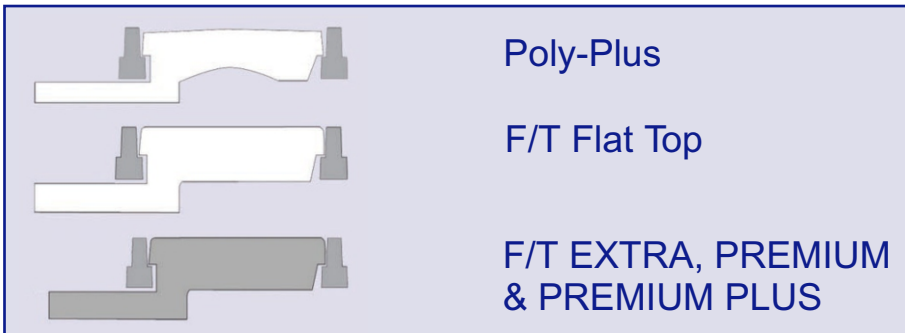
## Poly-Plus Components



### Concrete Beam

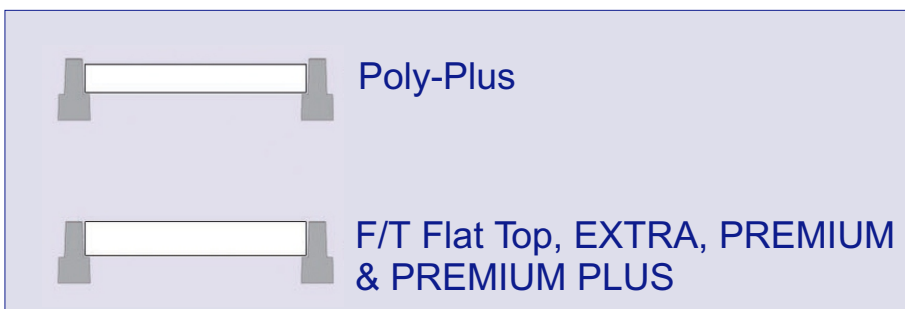
175mm deep concrete beams laid in accordance with RHF layout drawing.

The joists are designed in accordance with BS 8110: Parts 1 & 2: 1985



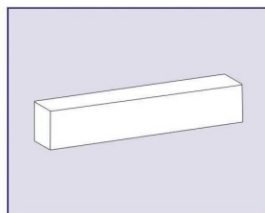
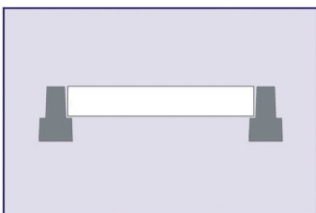
### Infill Panel

1200mm long x 540mm wide Polystyrene panels are laid between the floor beams to form an insulated floor.



### Make Up Piece

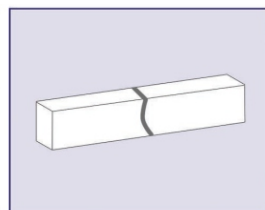
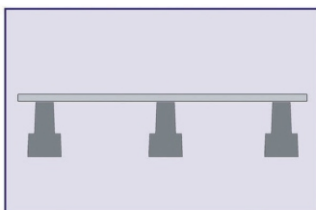
1200x400x75/100mm sheets of polystyrene (which can be cut on site to suit) are laid between the beams as make up pieces



### Block Edge

530x100x30mm edge pieces are inserted at the ends of each run of Poly-Plus panels between the beams and adjacent to all foundation walls to prevent thermal bridging.

These are **NOT** required when using the F/T Flat Top, F/T EXTRA, F/T PREMIUM or F/T PREMIUM PLUS.



### Screed Edge

1200x75x30mm polystyrene edge strips are laid around the perimeter of the building on the inside of the inner course of brickwork to prevent cold bridging.