

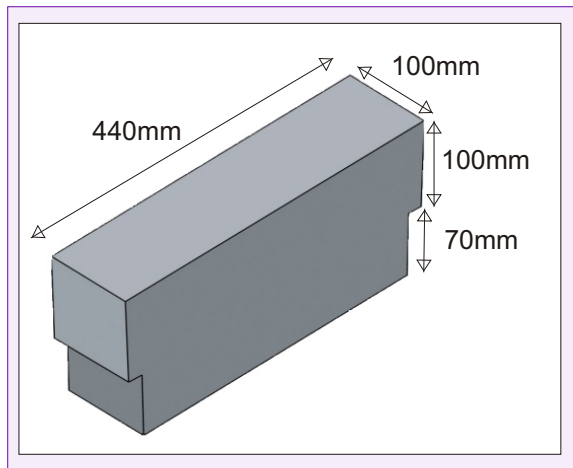
RACKHAM
HOUSEFLOORS

Rackham Housefloors Ltd
Mill Street East, Dewsbury
West Yorkshire, WF212 9TA
Tel: 01924 455876
Fax: 01924 466513

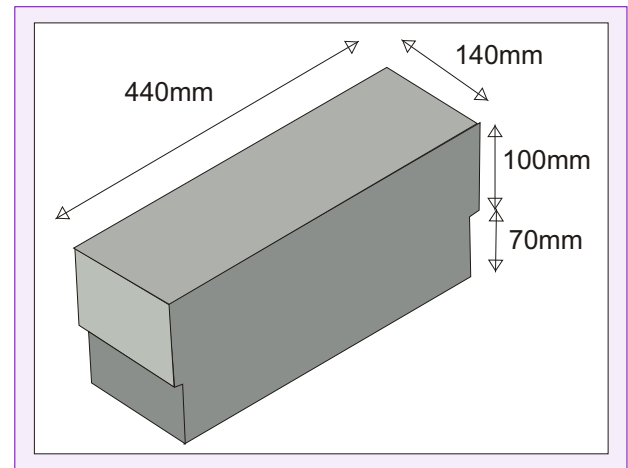
E-mail: sales@rackhamhousefloors.co.uk
Website: www.rackhamhousefloors.co.uk

Rackham Beam & Block Closure Block

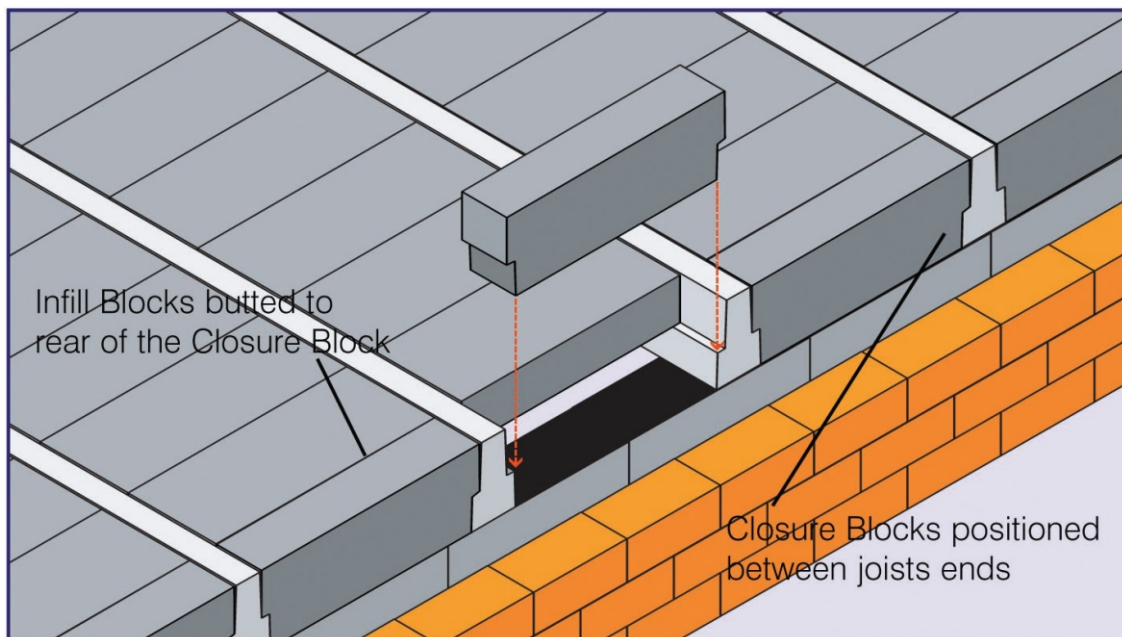
Rackham Closure Blocks are quick and easy to lay and eliminate all brick infill between floorjoists at perimeter and internal junctions.



100mm wide closure blocks for masonry construction



140mm wide closure blocks for timber frame construction



Manufactured in accordance with BS 6073: Part 1: 1981 (Specification for precast concrete masonry units) with a minimum compressive strength of 10N/mm^2