



Pre-stressed Concrete Floor Joists (225mm) Health and Safety

Product

A concrete component for a specific use in building and construction.

Composition

Portland cement. Crushed limestone rock and sand from naturally occurring mineral deposits including some Quartz. Some mixtures contain a plasticiser to improve the characteristics of the product. High tensile indented steel wires to BS 5896/2 relaxation class 2.

Health Hazards

Floor joists made from hardened concrete do not present a specific health hazard as supplied.

Precautions

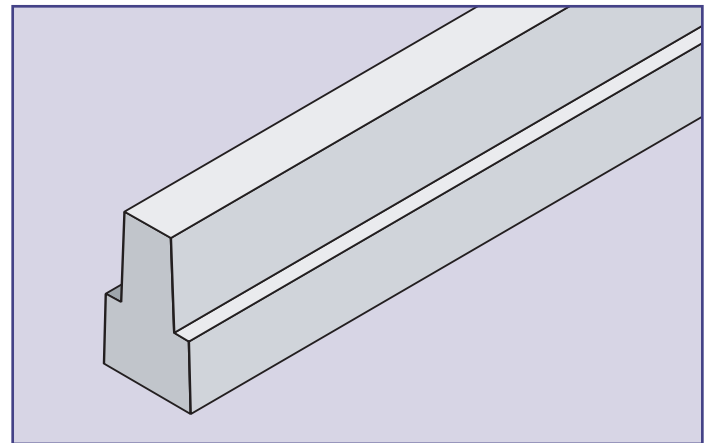
Inhalation of any dust from ground concrete should be avoided. Consideration should be given to wet methods of grinding & cutting. Where dry grinding or cutting is used, dust masks to BS 2091 (B) or their European equivalent should be worn.

Installations

The beams weigh 65kg per metre length and therefore consideration must be given to safe handling and installation methods. All statutory health & safety requirements and associated Codes of Practice must be observed. Particular reference to lifting by mechanical means in relation to LOLER is required. The beams must have adequate bearings (nominal 100mm) at either end onto suitable blockwork (min strength 7.0N/mm²). Overloading during the construction process must be avoided i.e. no stacking/landing of materials on the floor structure.

Storage

Beams when off loaded and not immediately used shall be stored on firm level ground and stacked with suitable minimum 25mm x 50mm timber bearers between. The height of the stack shall not exceed 2m but a lesser height may be considered where the risk of public (children) access is present.



225mm Floor Joist

C.D.M

Regulation 13 in relation to design risk, if correctly installed to our specification other than obvious collapse if cut or overloaded, the product has a low risk factor. For specification of loading capabilities, please see our technical guidance note, and the applicable Rackham drawing.

Protective Clothing

Due attention should be given to the protection of eyes in cutting and grinding operations. Suitable protection for the head, hands and feet should be worn in accordance with relevant legislation.